

# Singer 69-8

Form 19584  
Rev. 155  
Printed in U. S. A.

**HISTORICAL COPY**  
**DO NOT REMOVE** *M*

# SINGER\*\*

69-8



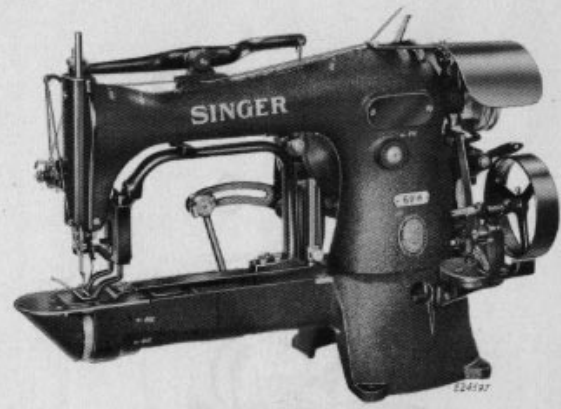
---

**THE SINGER MANUFACTURING COMPANY**

\*\*A Trade Mark of THE SINGER MANUFACTURING COMPANY

From the library of: Diamond Needle Corp

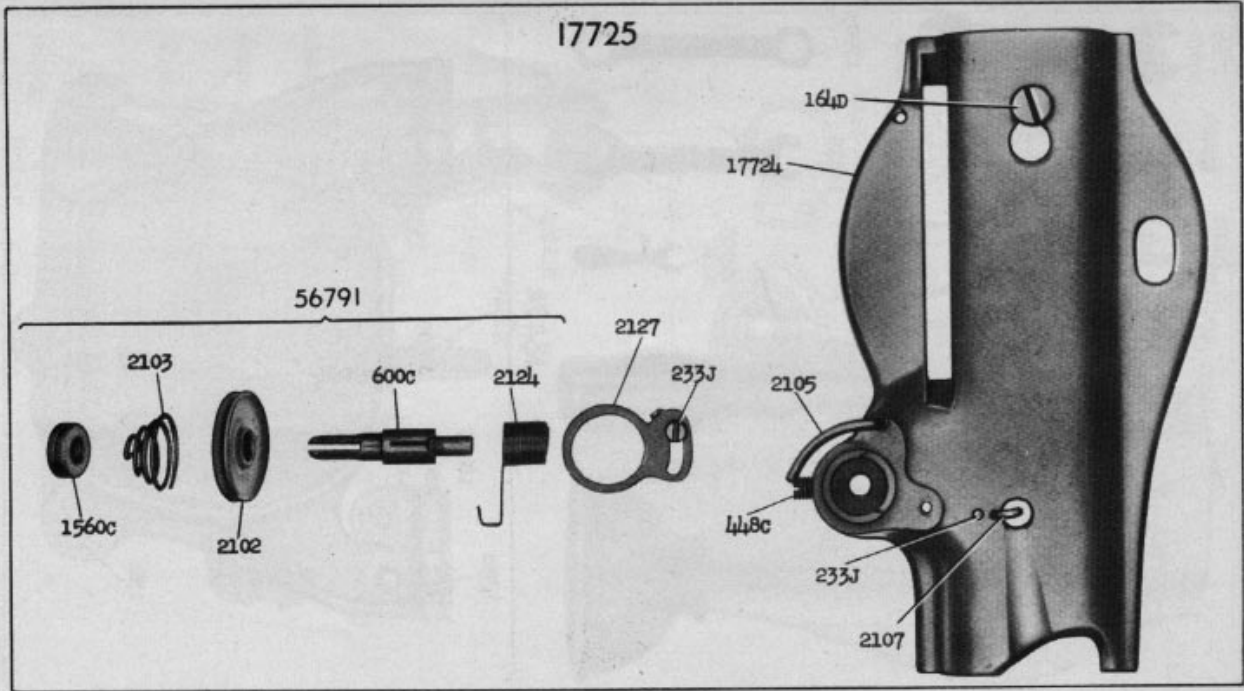
HISTORICAL COPY  
DO NOT REMOVE



Copyright, U. S. A., 1940, 1947 and 1955  
by The Singer Manufacturing Company  
All Rights Reserved for all Countries

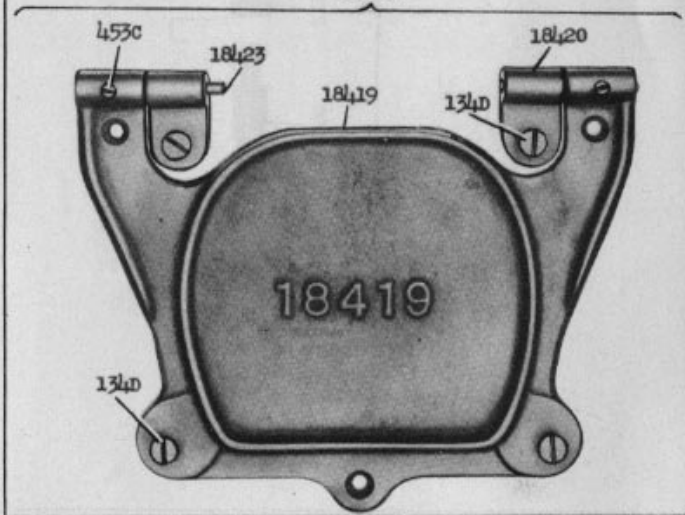
THE SINGER MANUFACTURING COMPANY

From the library of: Diamond Needle Corp

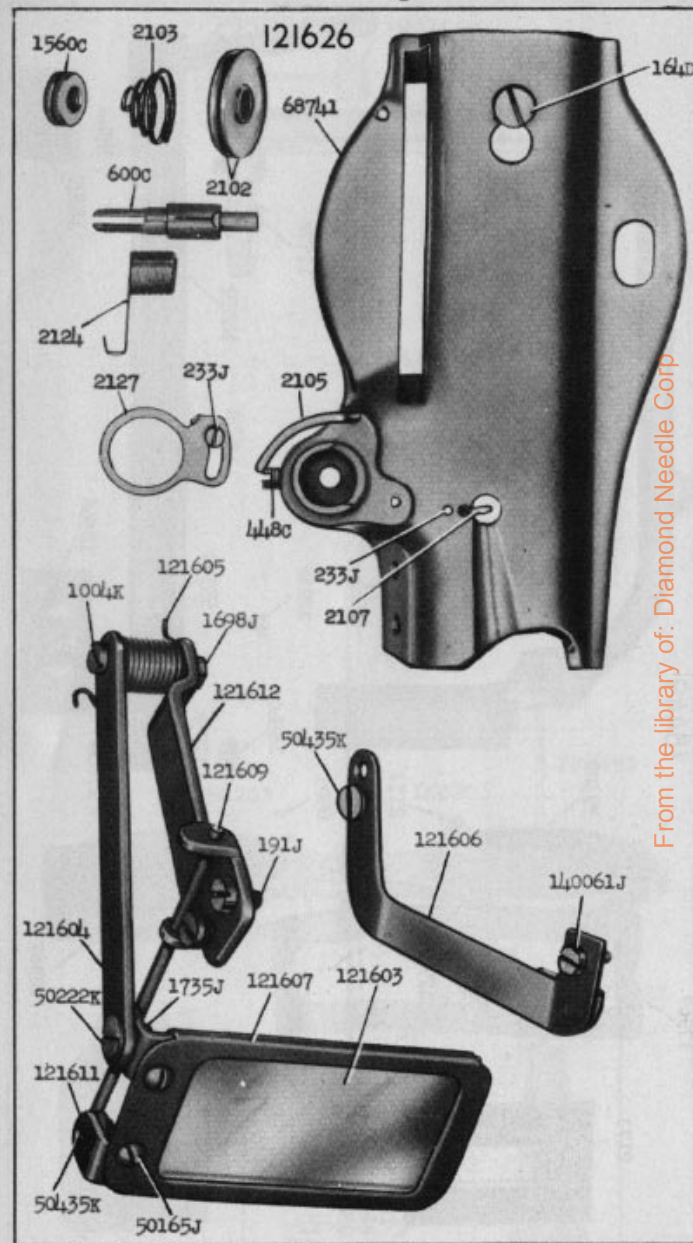


8593 - 2/3

8599 - 1/3

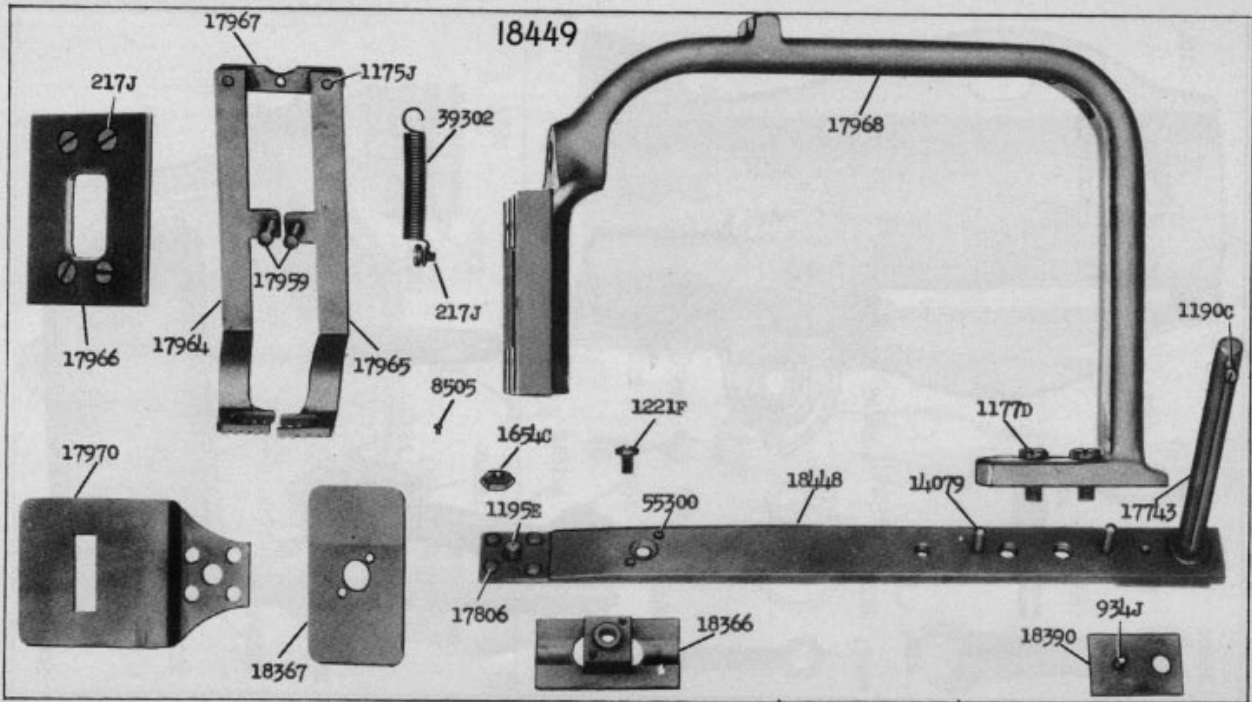


8601 - 2/3



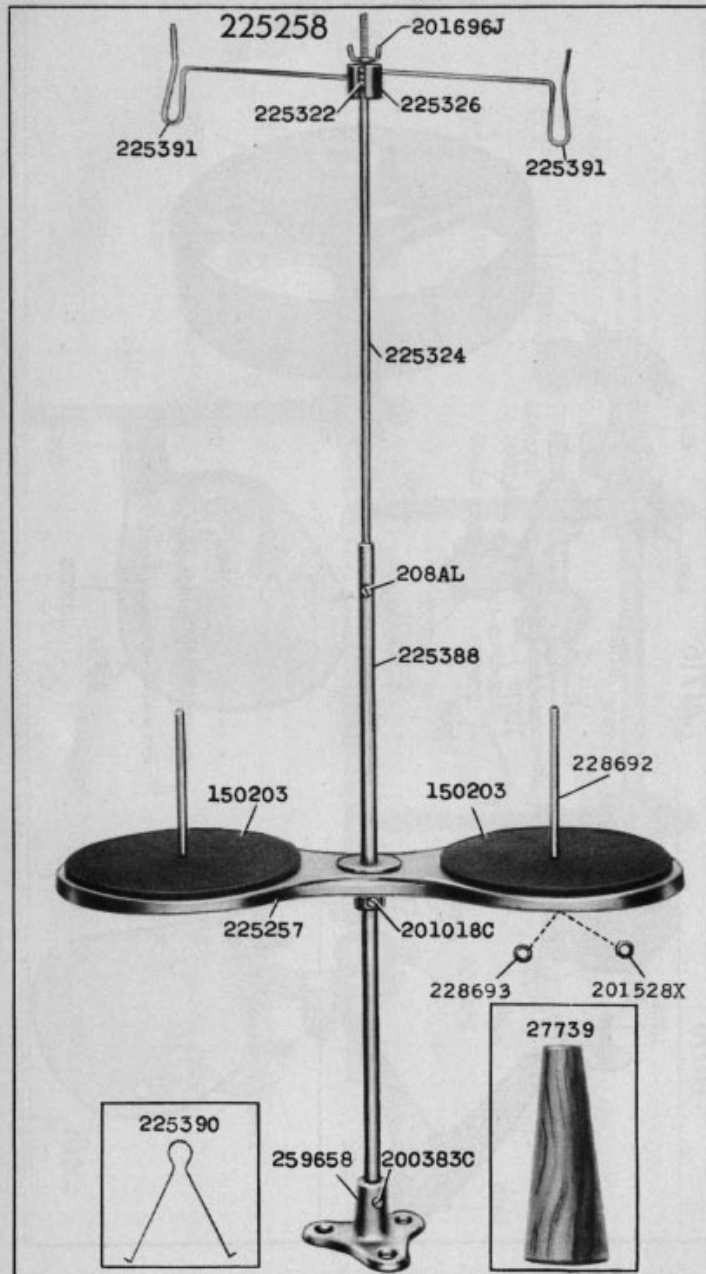
From the library of: Diamond Needle Corp

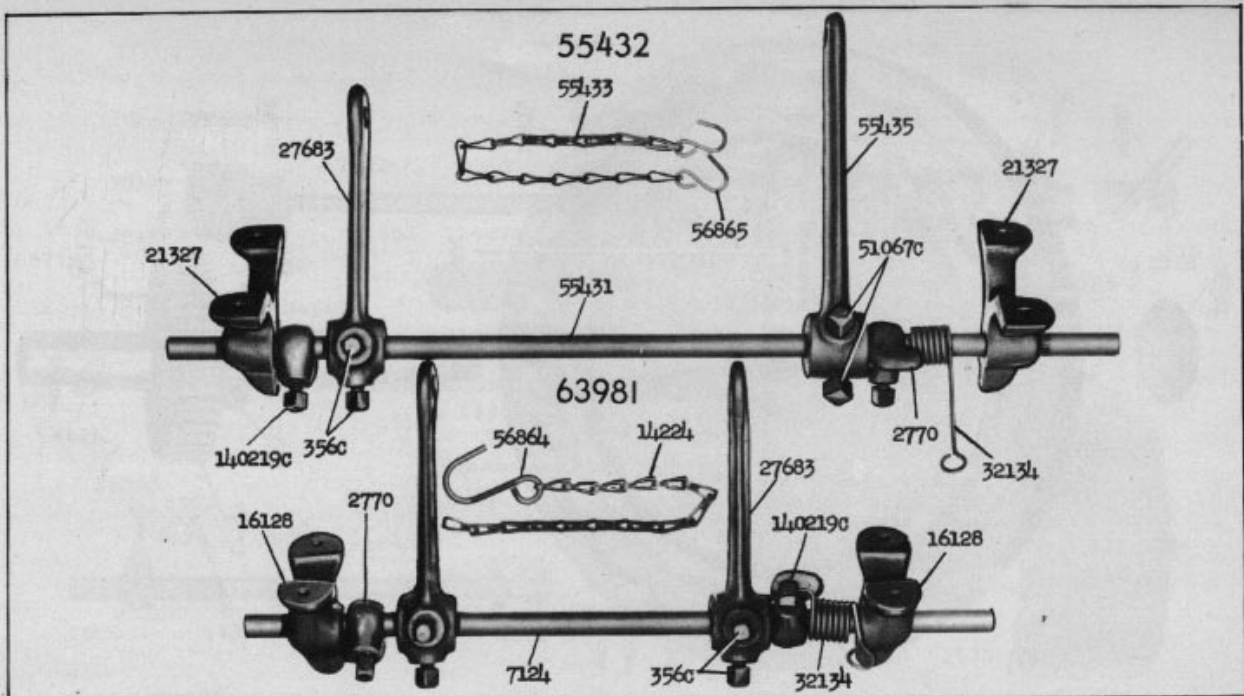
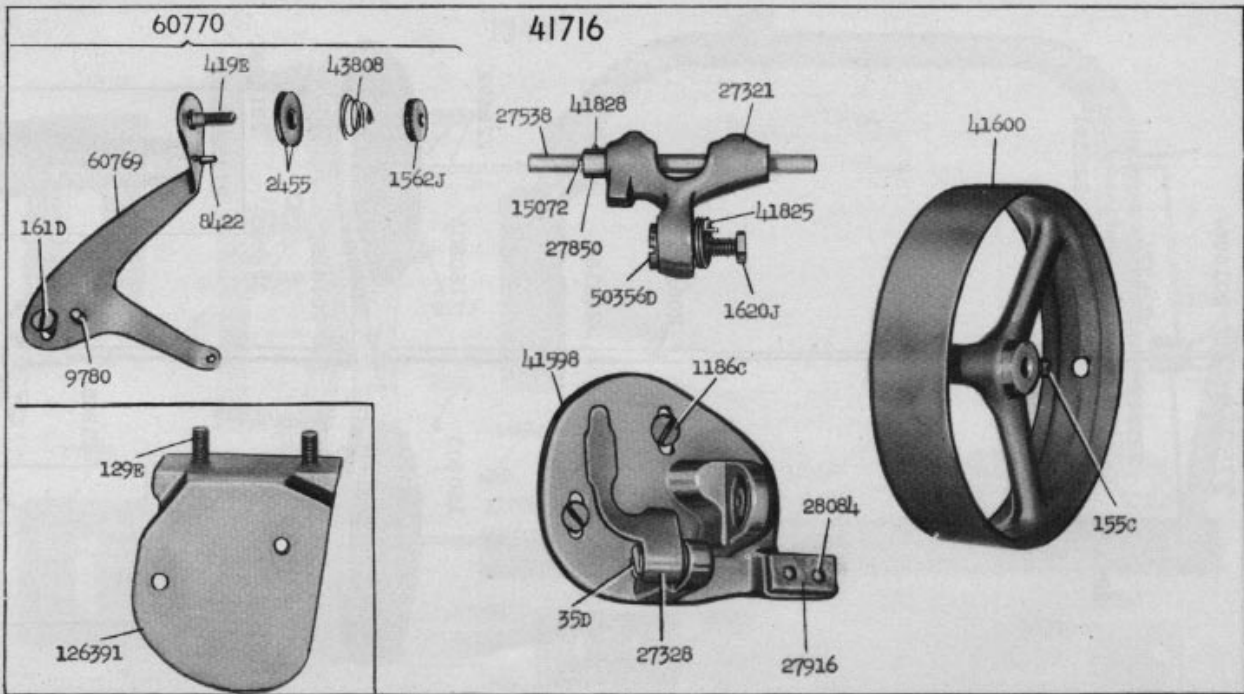




8616 - 1/2

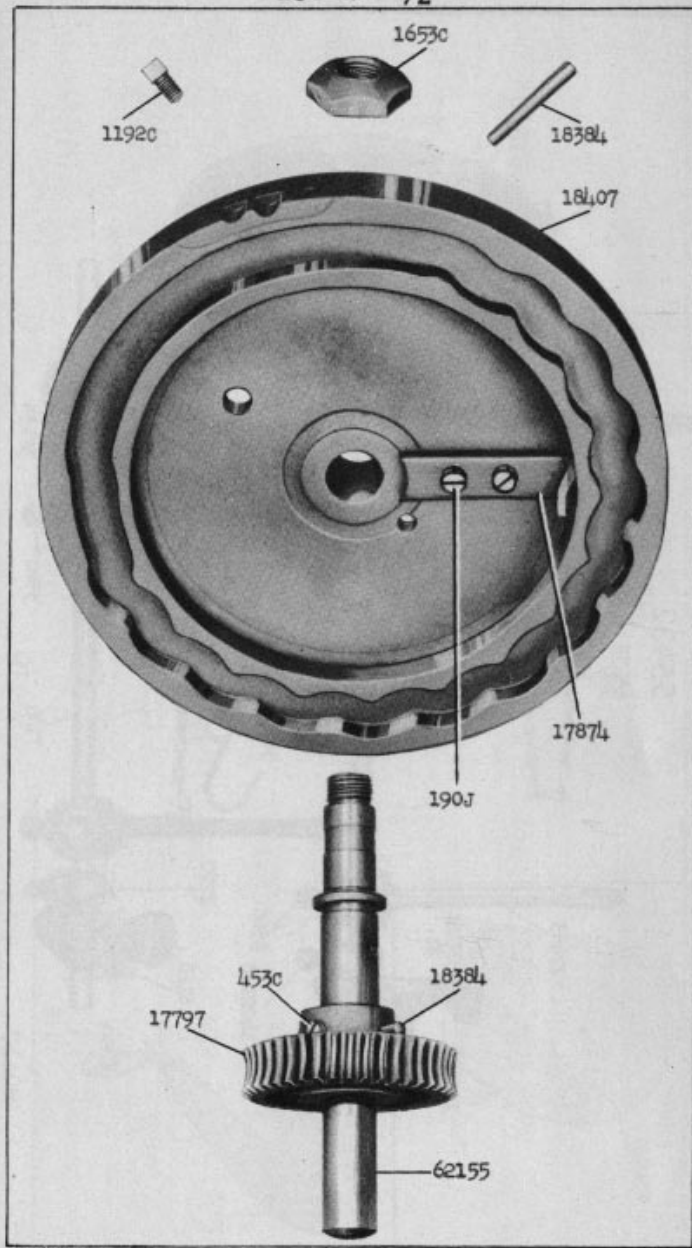
23289 - 1/4

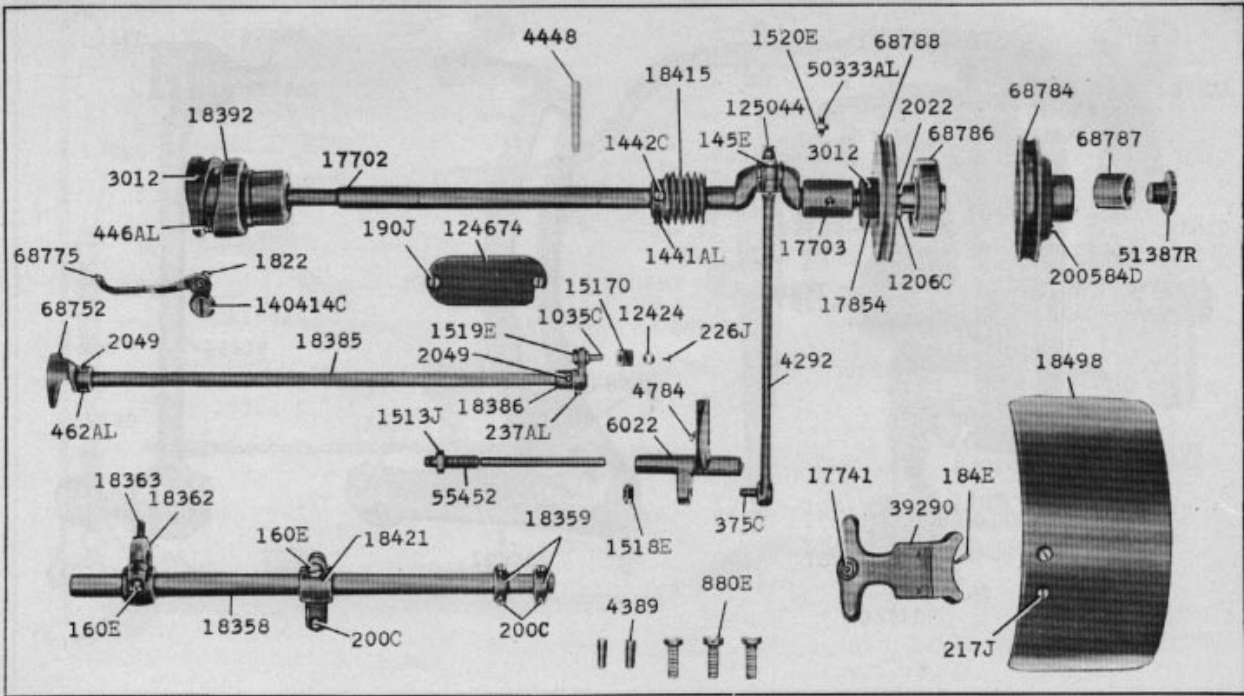




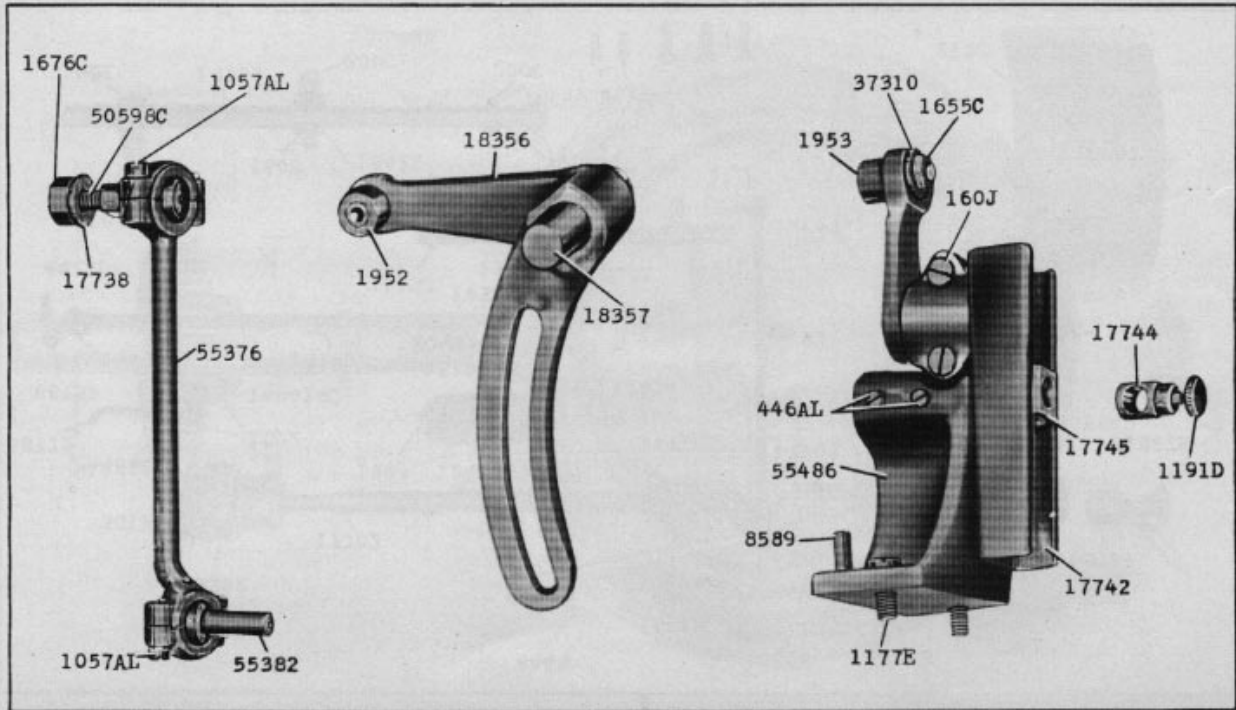


23507 - 1/2

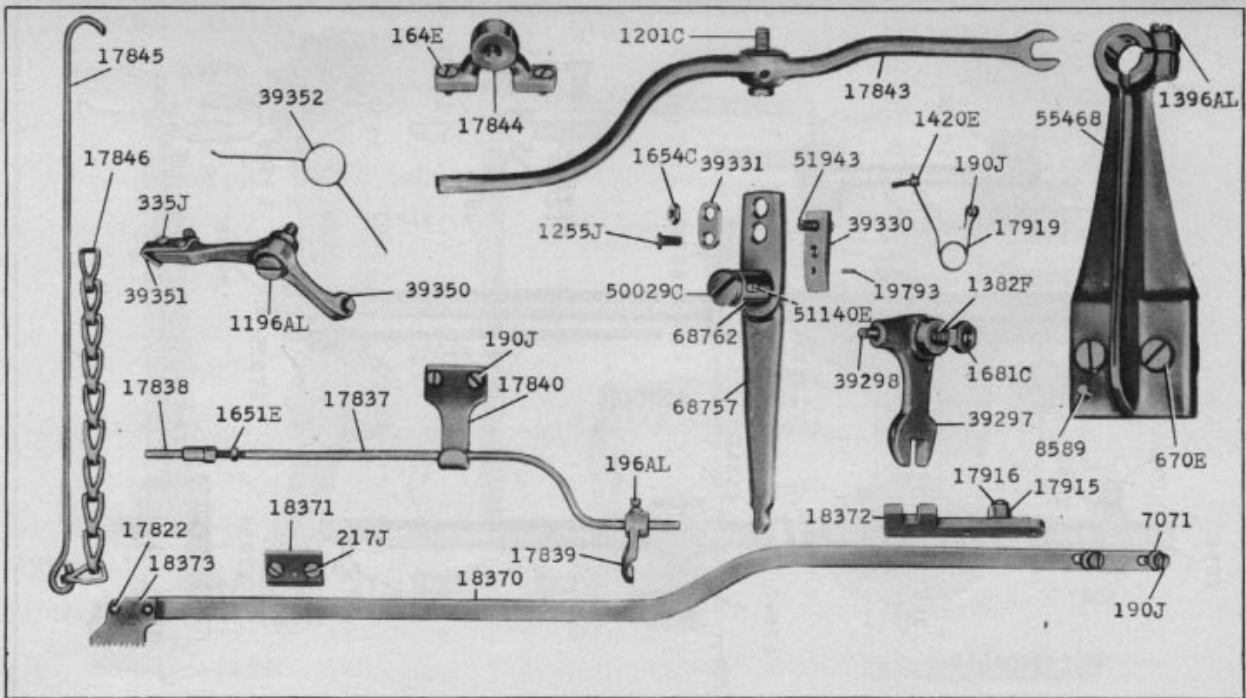




23511-1/4



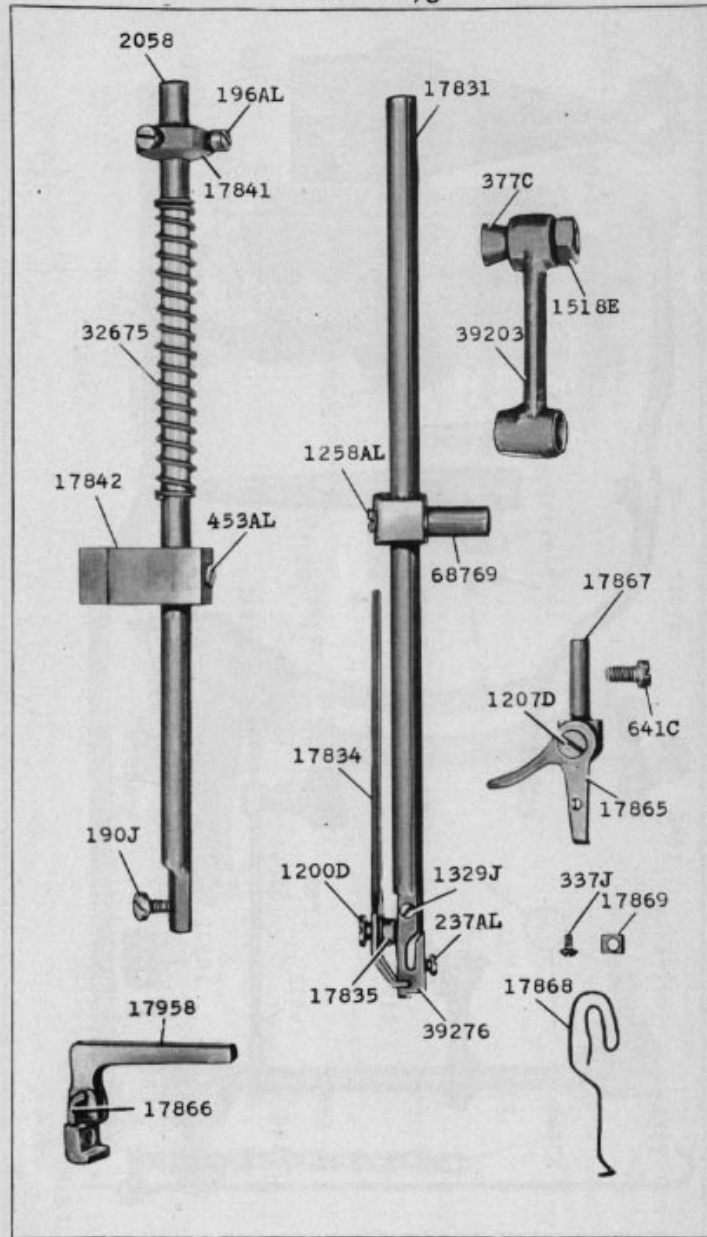
23521-1/2



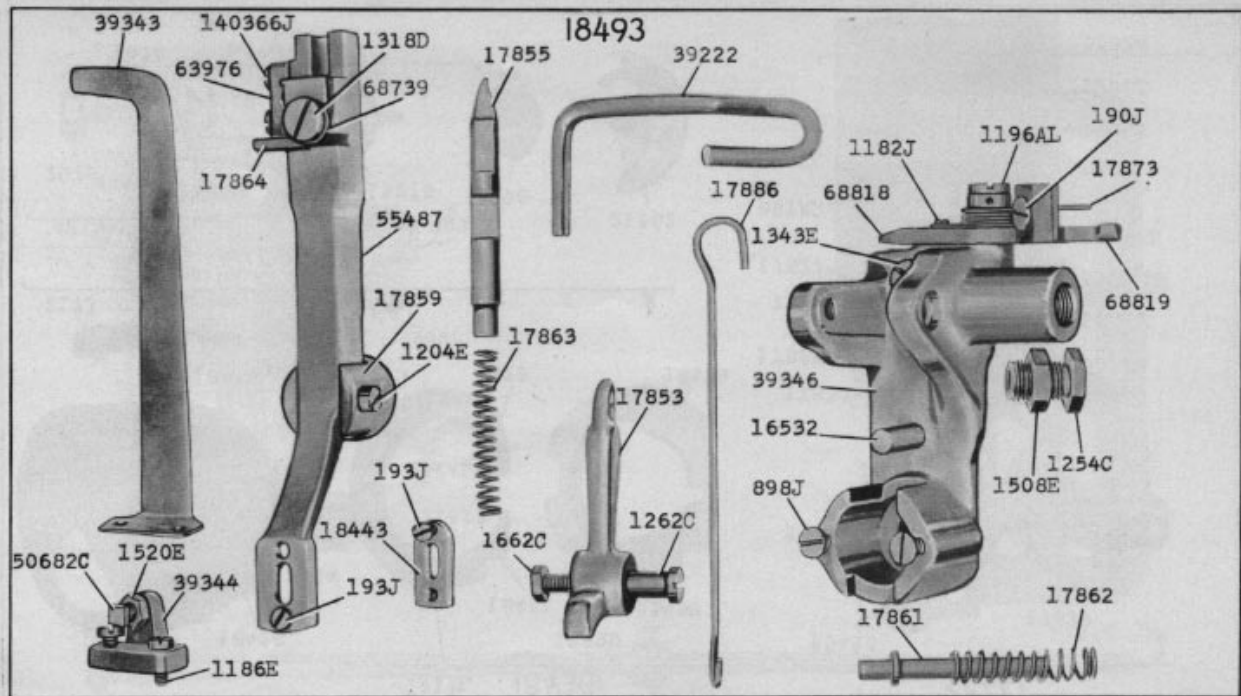
23525-1/3



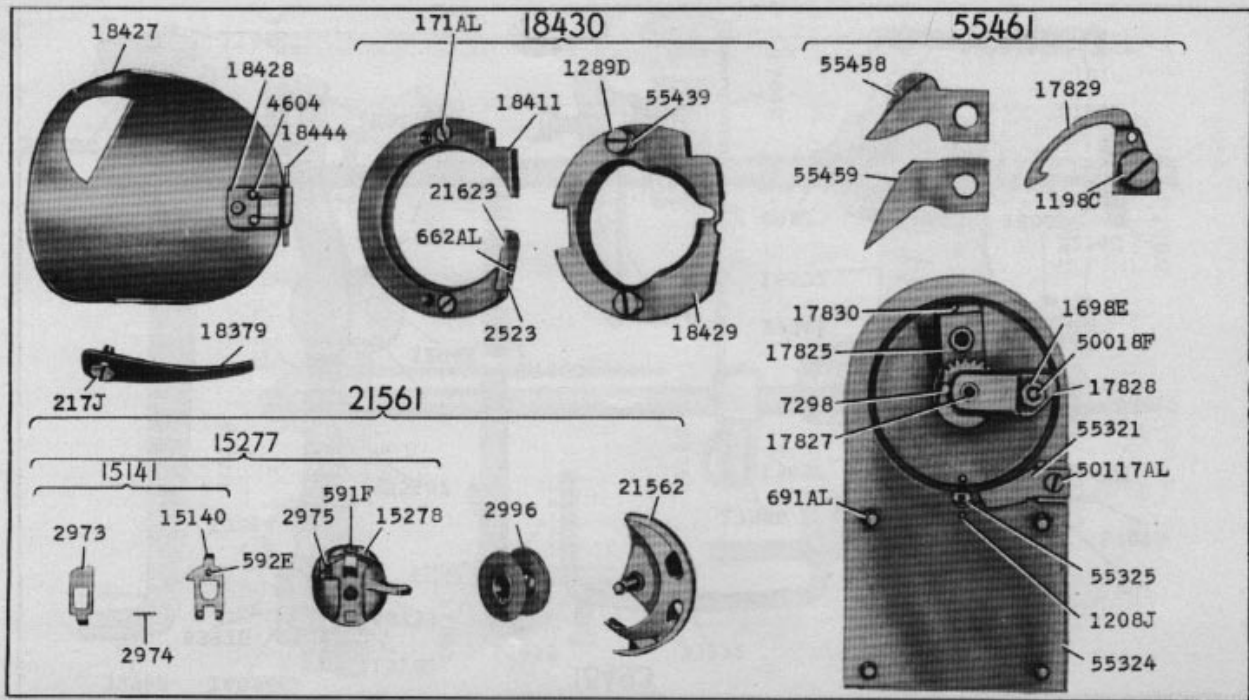
24309-2/3



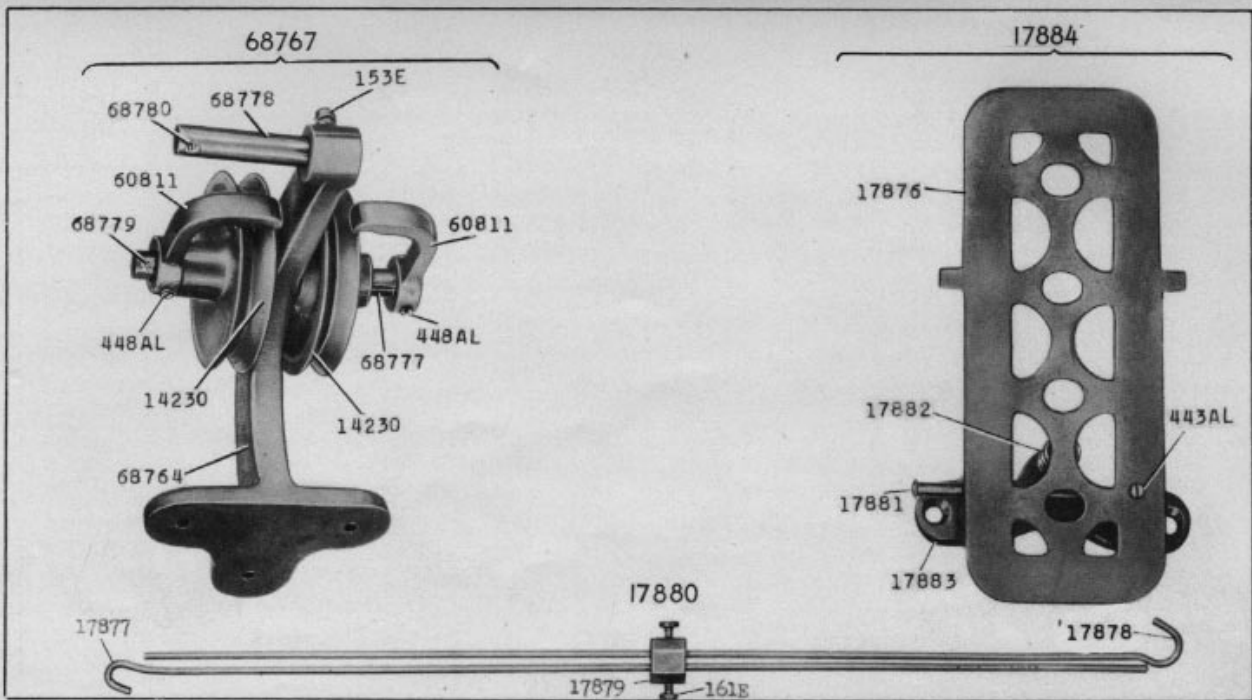




24311-2/3



24312-1/2



24317-1/3